

# **MIGHTY** LIFT™

## **SPECIAL SIZE PALLET TRUCK LOW PROFILE PALLET TRUCK**

*Wide Selection to fit different Needs!*

**5,500 lbs Capacity**



**20.5"X36"  
ML 2036**



**27"X36"  
ML 2736**



**20.5"X42"  
ML 2042**



**27"X42"  
ML 2742**



**20.5"X48"  
ML 2048**

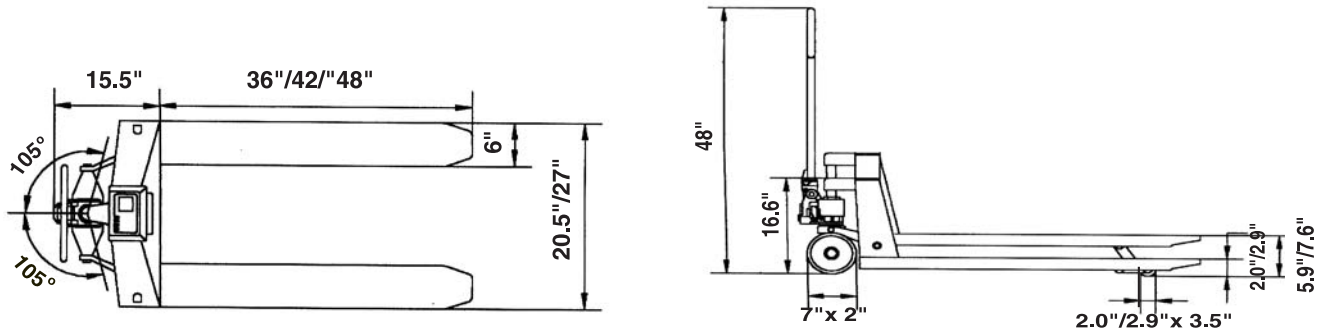


**27"X48"  
ML 2748L**

**2" Min. HT Low Profile**

# MIGHTY LIFT™

# MIGHTY POWER



Model No.	Cap. (lbs)	Fork Size WxL	Min. Hgt.	Max. Hgt.	Front Wheel Dia. x W	Steering Wheel Dia. x W	Steering arc	WT (lbs)
ML2036	5,500	20.5" x 36"	2.9"	7.6"	2.9" x 3.5"	7" x 2"	210°	142
ML2042	5,500	20.5" x 42"	2.9"	7.6"	2.9" x 3.5"	7" x 2"	210°	170
ML2048	5,500	20.5" x 48"	2.9"	7.6"	2.9" x 3.5"	7" x 2"	210°	198
ML2736	5,500	27.0" x 36"	2.9"	7.6"	2.9" x 3.5"	7" x 2"	210°	146
ML2742	5,500	27.0" x 42"	2.9"	7.6"	2.9" x 3.5"	7" x 2"	210°	177
ML2748L	5,500	27.0" x 48"	2.0"	5.9"	2.0" x 3.5"	6" x 2"	210°	218

## OTHER PRODUCTS



**Skid Adaptor**  
allows trucks to be used with both pallet & skid  
Easy to switch



**Load Backrest**  
for handling high loads  
Safe to use



**Pallet Truck**  
with Brake System  
for total control  
Safe & Easy



**Lateral Pallet Truck**  
features complete lateral movement in a narrow aisle for extra maneuverability



**Highlift Pallet Truck**  
a pallet truck & a lift-table All in One  
Ergonomic & Efficient



**Scale Pallet Truck**  
weighs loads on the spot whenever you want  
Simple & Efficient



**Hydraulic Lift Table**  
elevates & transports loads between work stations  
Ergonomic & Efficient



**Electric & Manual**  
Stacker for multi-purpose lifting & positioning  
Compact & Economic

Mighty Lift warrants hydraulic unit and frame against defective components or workmanship for 1 year. Wheels, axles, bearings, seals are warranted for 90 days. Warranty does not cover usage in cold storage, brine, corrosive, or similar applications. Text of warranty is available on request.

[www.mightylift.com](http://www.mightylift.com)

**Distributed by:**