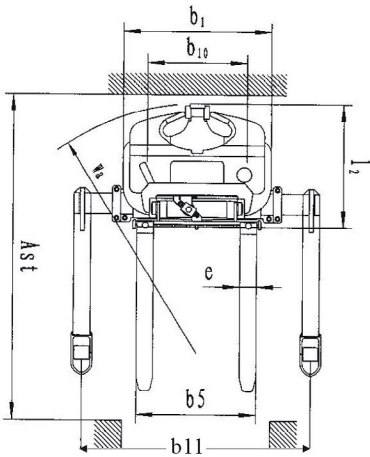
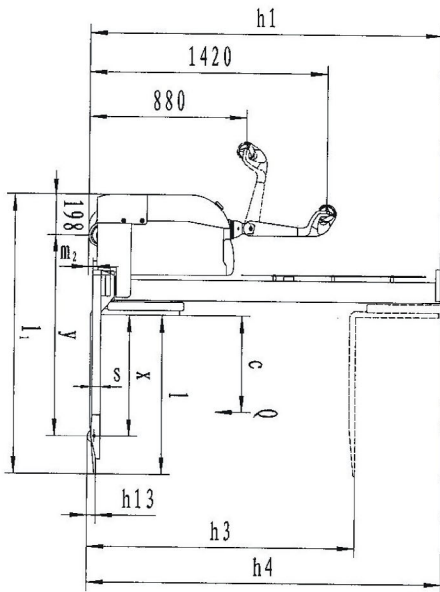


Power Stacker



Capacity at different lifting heights

Up to h3 inch	ACTUAL CAPACITY (Q) LB	
63	2640	2640
114	2420	2030
Load Centre Distance (C) inch	24	28

1kg=2.2lb 1inch=25.4mm



Economic and reliable
With CURTIS controller,
with imported pump station.

1 kg=2.2lb 1 inch=25.4mm

Identification	1.2	Manufacturer's type designation		ES1-16	ES1-29
	1.3	Drive:electric(battery or mains),diesel, petrol,fuel gas,manual		Electric	
	1.4	Type of operation:hand,pedestrian,stand ing,seated, order-picker		Pedestrian	
	1.5	Load Capacity /rated load	Q (lb)	2640	2640
	1.6	Load center distance	C inch	23.6	
	1.8	Load distance, centre of drive axle to fork	X inch	30	
	1.9	Wheelbase	Y inch	49	
Weights	2.1	service Weight	lb	1958	2354
	2.2	Axle loading, laden front/rear	lb	2068/2530	2240/2750
	2.3	Axle loadings, unladen front/rear	lb	880/1078	748/902
Wheels, Chassis	3.1	Tyres:solid rubber, superelastic, pneumatic, polyurethane)		polyurethane	
	3.2	Tyre size, front		10x3.5	
	3.3	Tyre size, rear		3.2x3.7	
	3.4	Additional wheels(dimensions)		5.9x2	
	3.5	Wheels, number front/rear(x=driven wheels)		1x+2/2	
	3.6	Track width,front	b10(inch)	25.6	
	3.7	Track width,rear	b11(inch)	15.4/19.9	
Basic Dimensions	4.2	Lowered mast height	h1(inch)	77.8	76.8
	4.3	Free lift	h2(inch)		6.2
	4.4	Lift height	h3(inch)	60	111
	4.5	Extended mast height	h4(inch)	78	129
	4.9	Height of tiller in drive position min./max.	h14(inch)	34/54	
	4.15	Lowered height	h13(inch)	3.2	
	4.19	Overall length	l1(inch)	172	
	4.20	Length to face of forks	l2(inch)	27	
	4.21	Overall width	b1(inch)	35	
	4.22	Fork dimensions	s/e/l(inch)	2.4/7.1/45	
	4.25	Width over forks	b5(inch)	22/27	
	4.32	Ground clearance, center of wheelbase	m2(inch)	1.0	
	4.33	Aisle width for pallets 1000x1200 crossways	Ast(inch)	83	
	4.34	Aisle width for pallets 800x1200 lengthways	Ast(inch)	80	
	4.35	Turning radius	wa(inch)	58	
Performance Data	5.1	Travel Speed, laden/unladen	km/h	4.7/5.2	
	5.2	Lift speed, laden/unladen	inch/s	4.3/7.0	
	5.3	Lowering speed, laden/unladen	inch/s	4.5/3.9	
	5.8	Max.gradient performance, laden/unladen	%	6/12	
	5.10	Service brake		electromagnetic	
E-Motor	6.1	Drive motor rating s2 60min	kw	1.6	
	6.2	Lift motor rating at s3 15%	kw	3	
	6.3	Battery acc. To DIN, or no		no	
	6.4	Battery voltage, nominal capacity	V/Ah	24/120 or 24//130	
Others	8.1	Type of drive control		MOSFET Control	
	8.4	Sound level at driver's ear acc.to En12053	dB(a)	67	